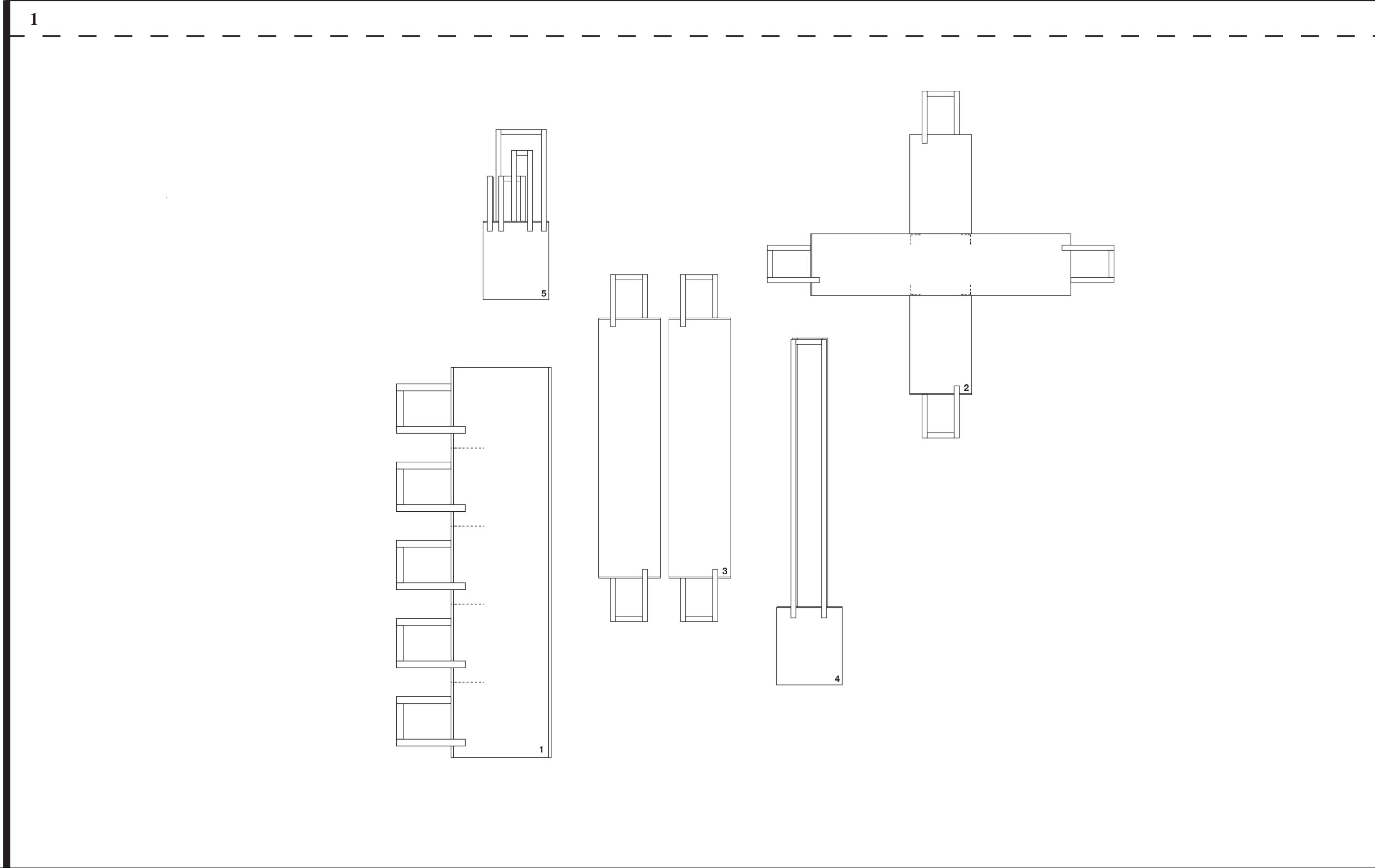


for sewing pattern, arrange the sheets in this order:

1	2
3	4
5	6



attach handle here (side 1)

attach handle here (side 2)

attach handle here (front)

(FOLD)

4/5

CUT ALL PIECES  
ON FOLD



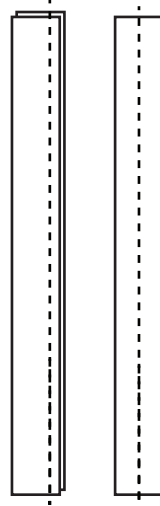
(FOLD)

attach handle here (back)

(FOLD)

attach handle here  
handle 1: both ends front  
handle 2: both ends back

attach handle here (front)



for handles:  
(1) fold in half;  
(2) sew along the line;  
(3) turn right side out to  
hide seam;

- - - - - SEAM  
————— ALIGN TO FOLD  
..... EXPAND HERE

one for each person

for 4: extend/shorten handles to the preferred length

attach handle here  
handle 1: both ends front  
handle 2: both ends back

attach handle here (back)

2. person

for 1: extend length here depending on the number of people

for 2/3: cut this piece at least double the length (if not longer)